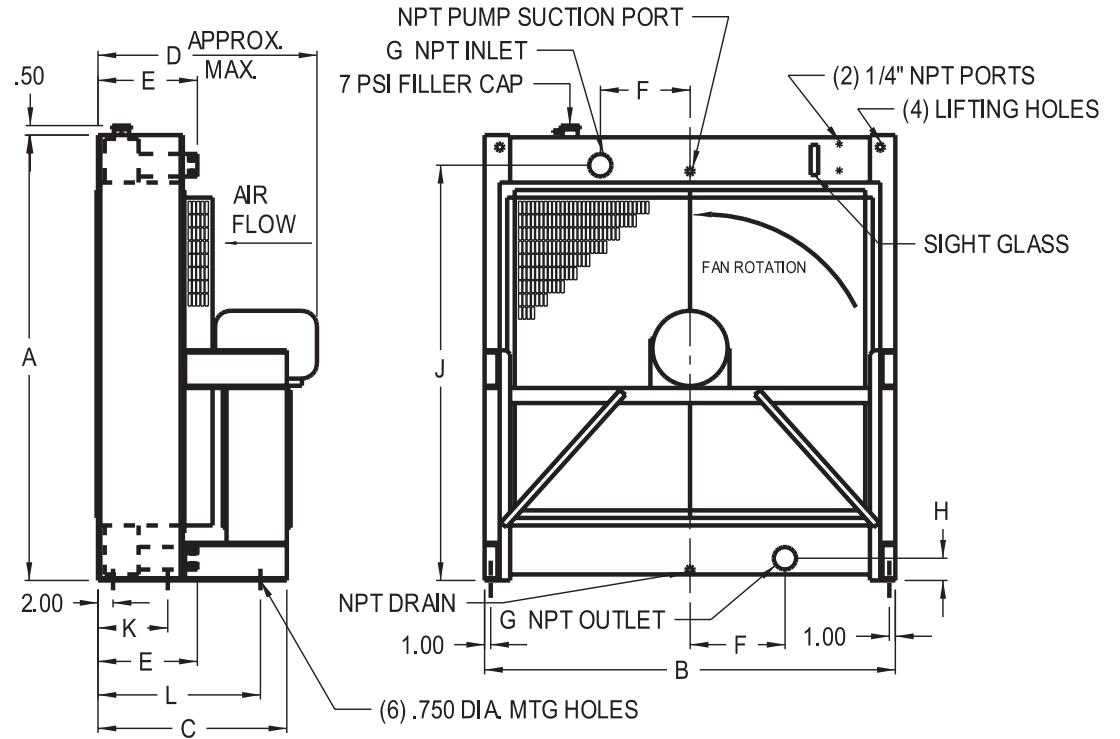




Remote Vertical Direct-Drive Radiators



* When top tank is half full, the remaining half of top tank is available for system expansion. Typical lead times are 5 to 7 weeks.

*Important - Engine manufacturers often revise heat load and water flow specifications, therefore, consult engine manufacturer for current data.

DIMENSIONS IN INCHES													Radiator Fluid Cap. Gal.	*Top Tank Fluid Cap. Gal.	Dry Weight Lbs.	
A	B	C	D	E	F	G	H	J	K	L						

PERFORMANCE							
HP	KW	Max Ambient Air To Fan	Jacket Water BTUs / Min	GPM	Drive Ratio	Fan; Dia / Speed	

800-774-2168 • www.bgrradiator.com